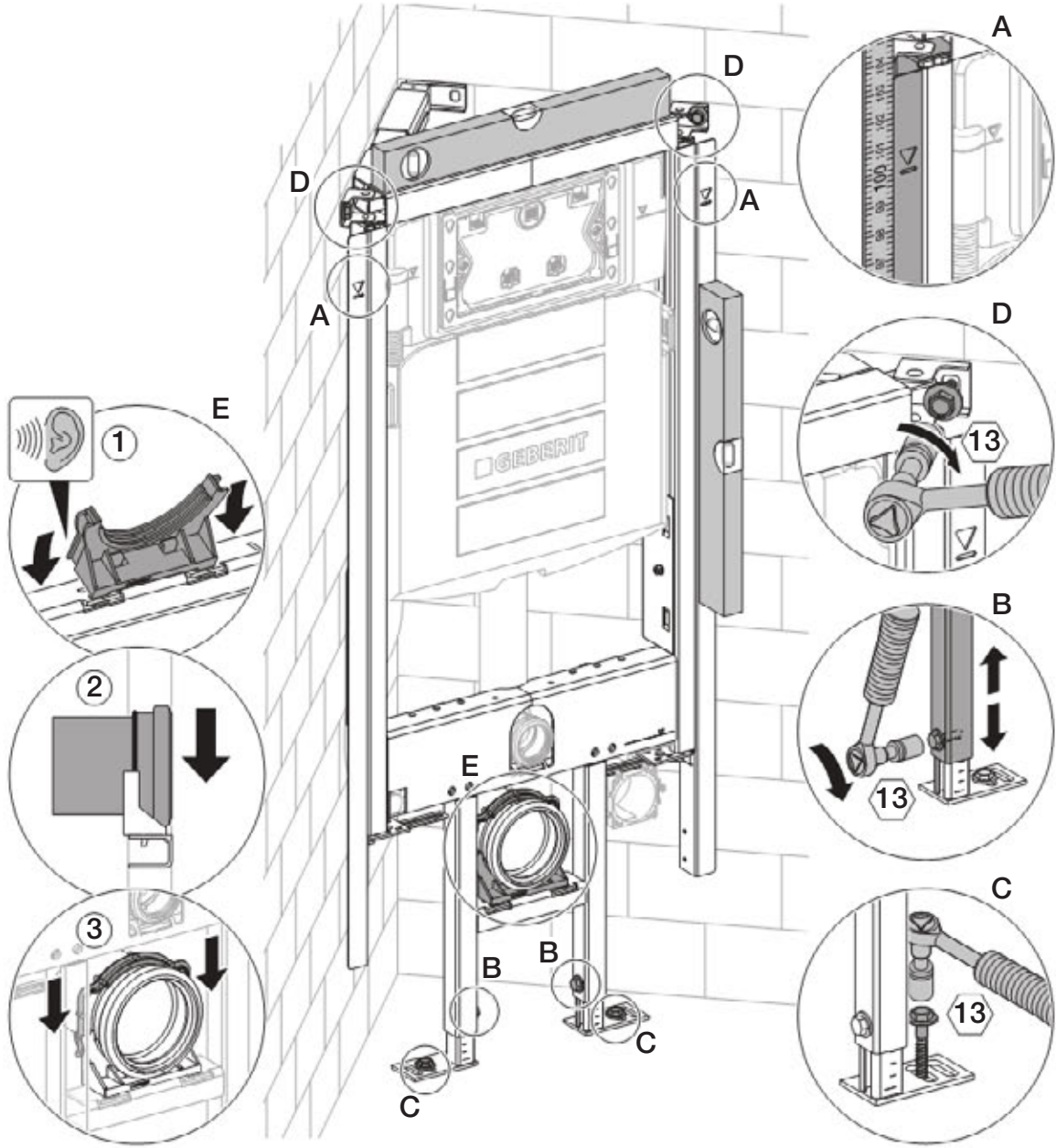
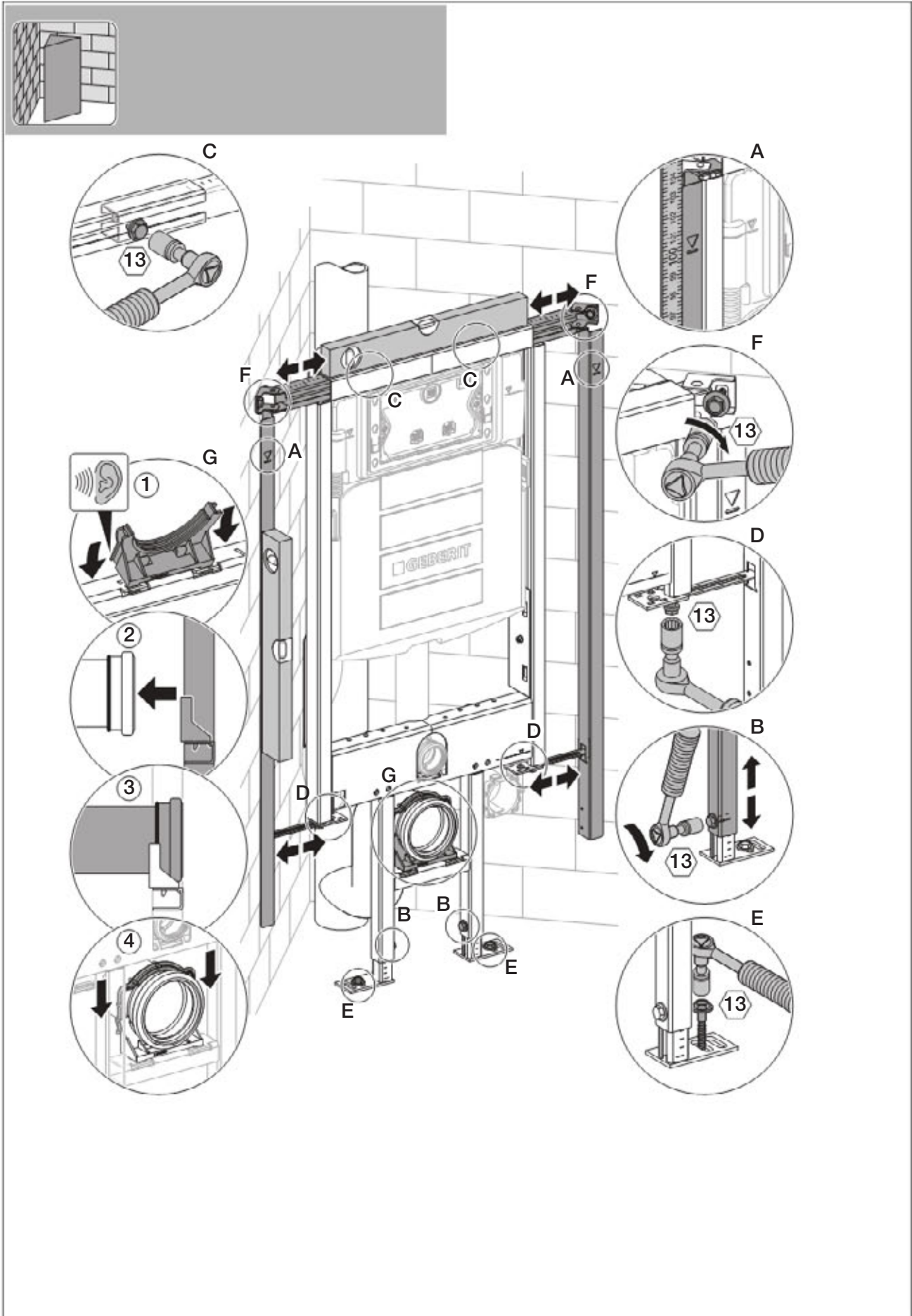
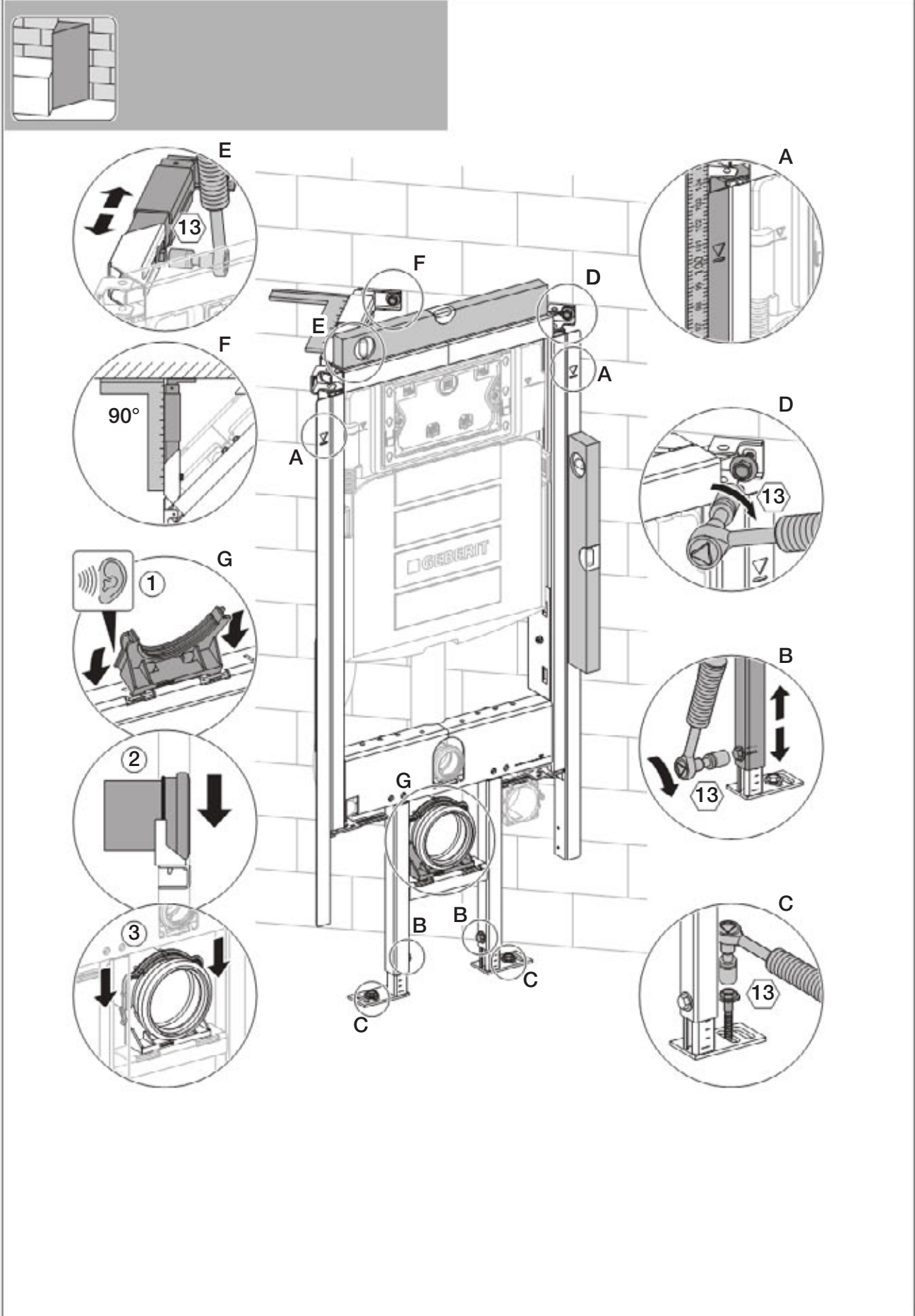


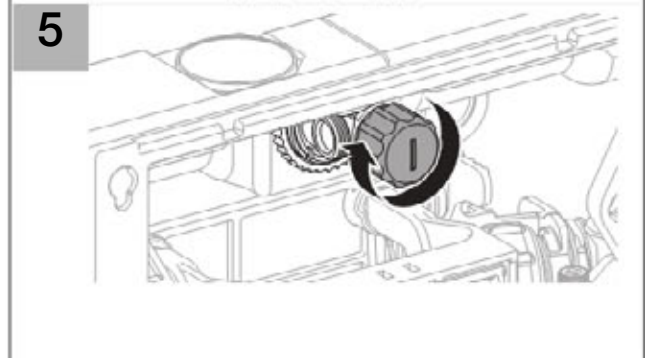
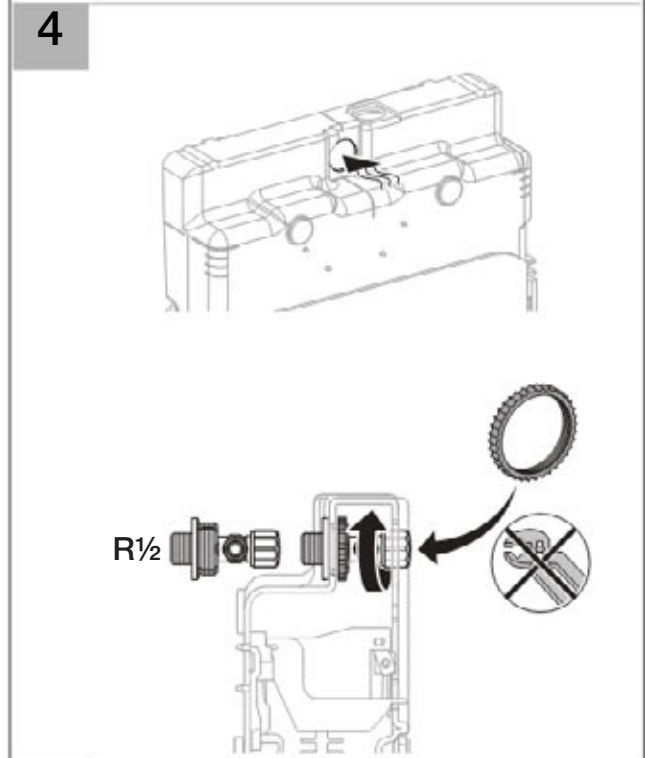
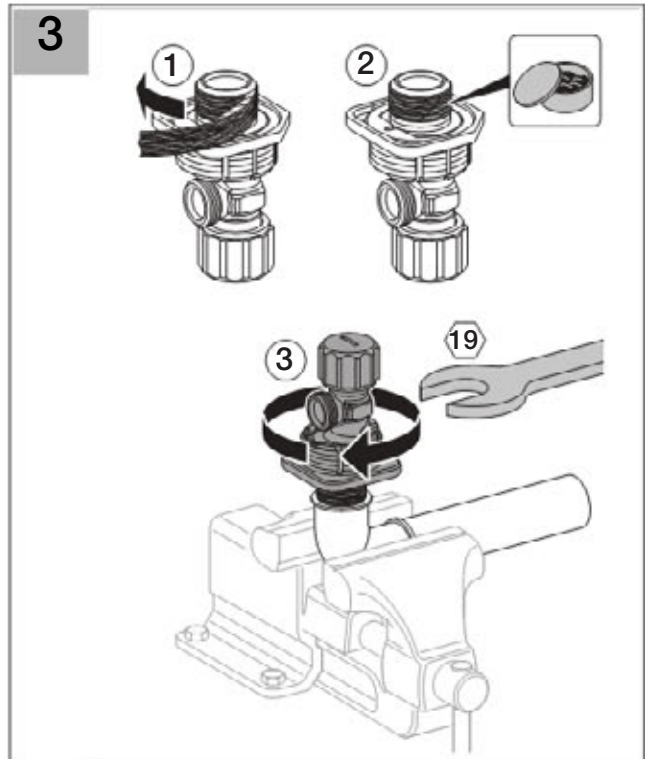
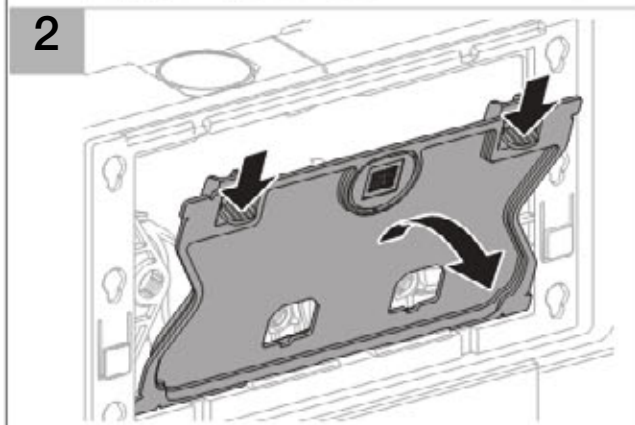
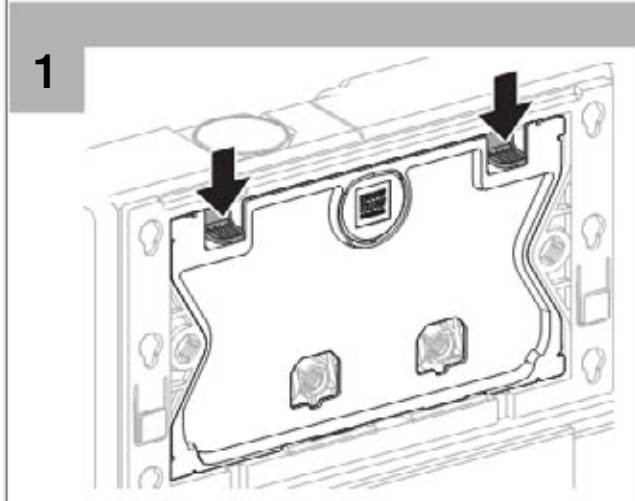
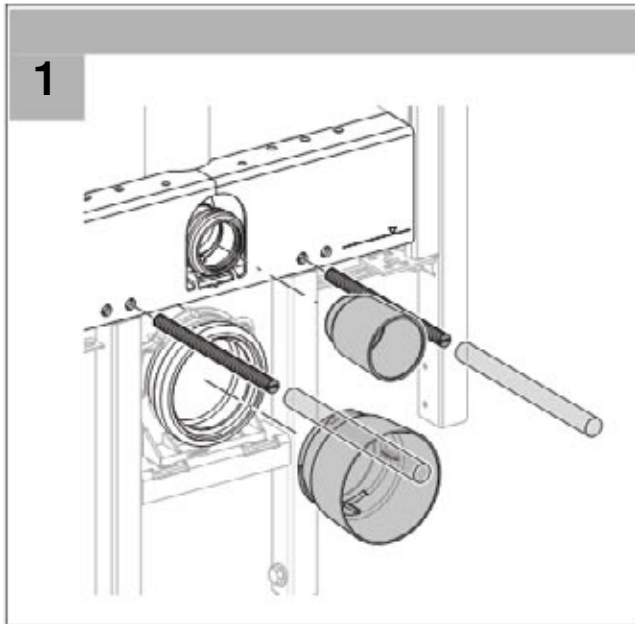
A	B	C	D
39.6	56	28	24
40.3	57	28.5	24.5
41	58	29	25
41.7	59	29.5	25.5
42.4	60	30	26
43.1	61	30.5	26.5
43.8	62	31	27
44.5	63	31.5	27.5
45.2	64	32	28
45.9	65	32.5	28.5
46.6	66	33	29

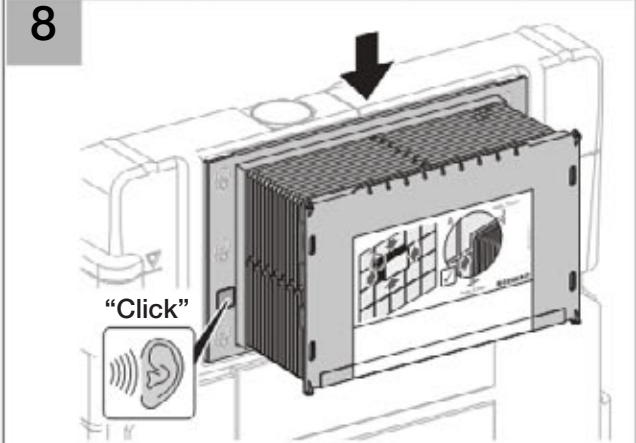
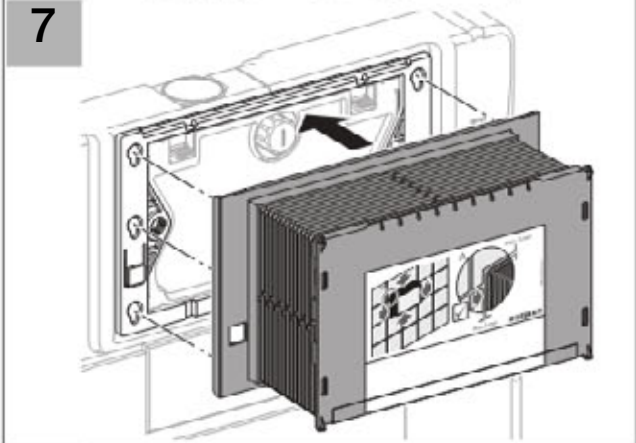
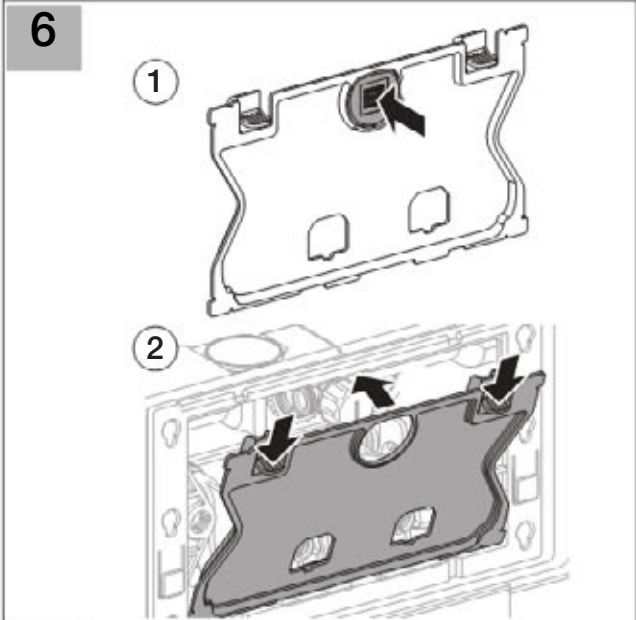
A	B	C	D
47.3	67	33.5	29.5
48	68	34	30
48.7	69	34.5	30.5
49.5	70	35	31
50.2	71	35.5	31.5
50.9	72	36	32
51.6	73	36.5	32.5
52.3	74	37	33
53	75	37.5	33.5
53.7	76	38	34

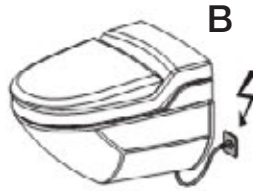
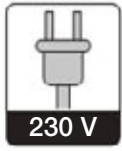




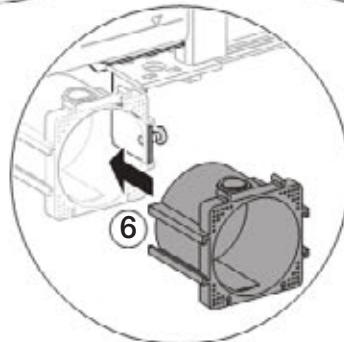
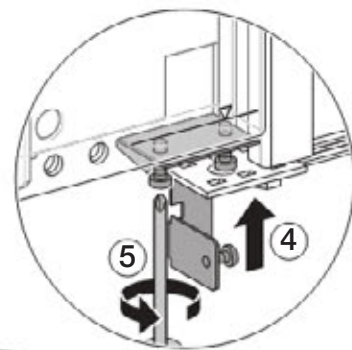
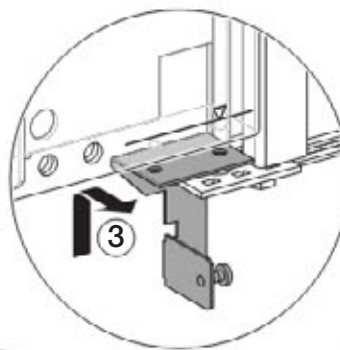
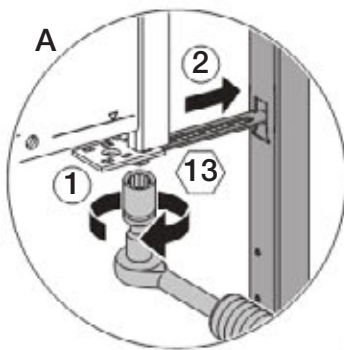
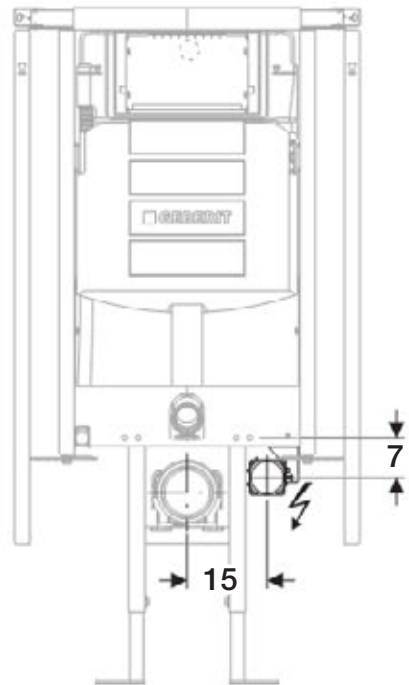
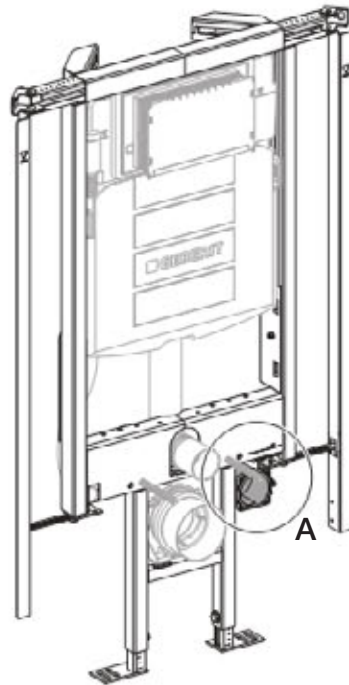




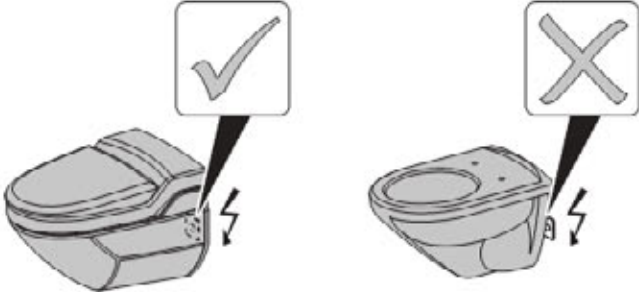




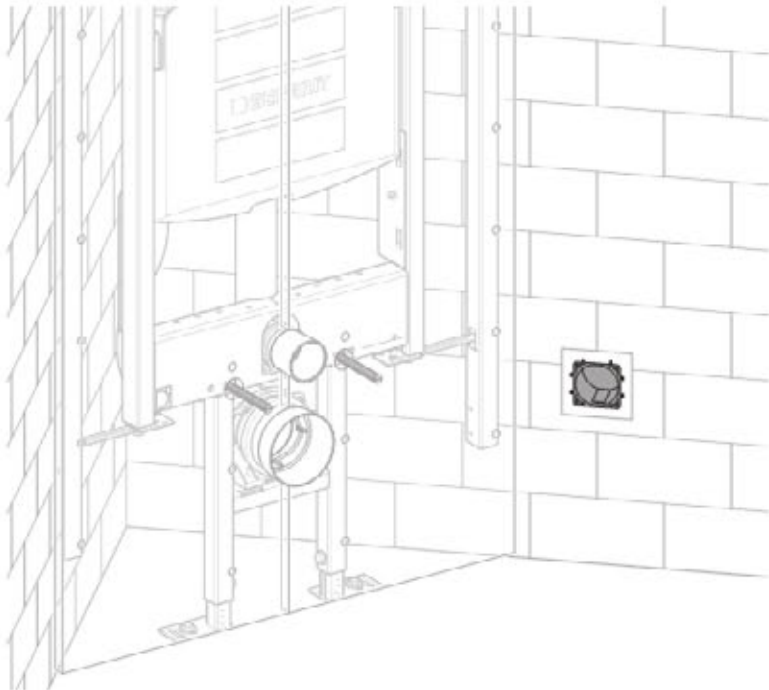
A



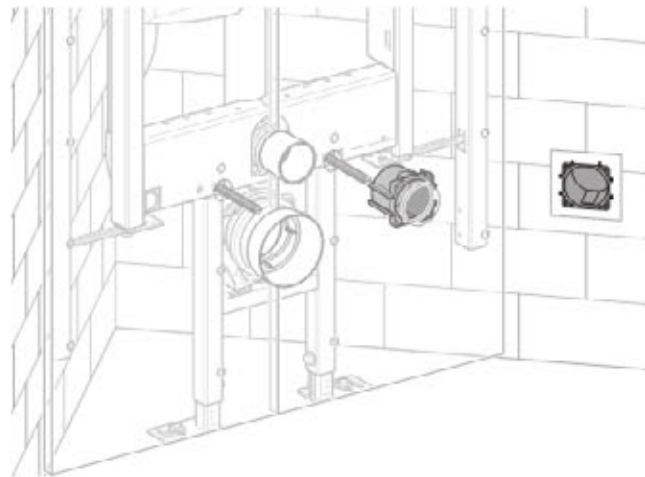
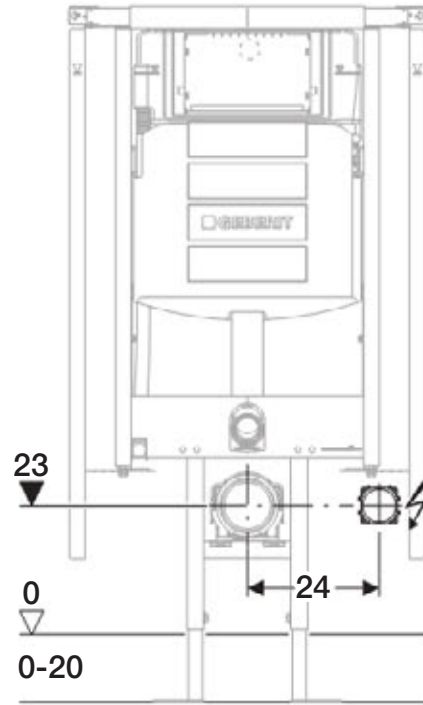
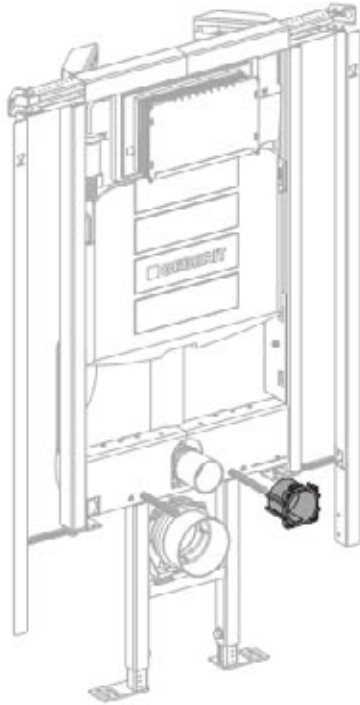
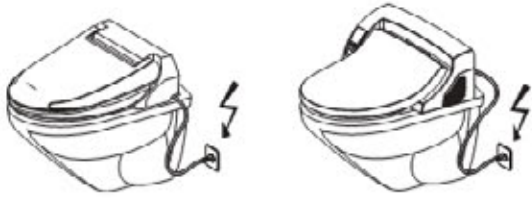
i



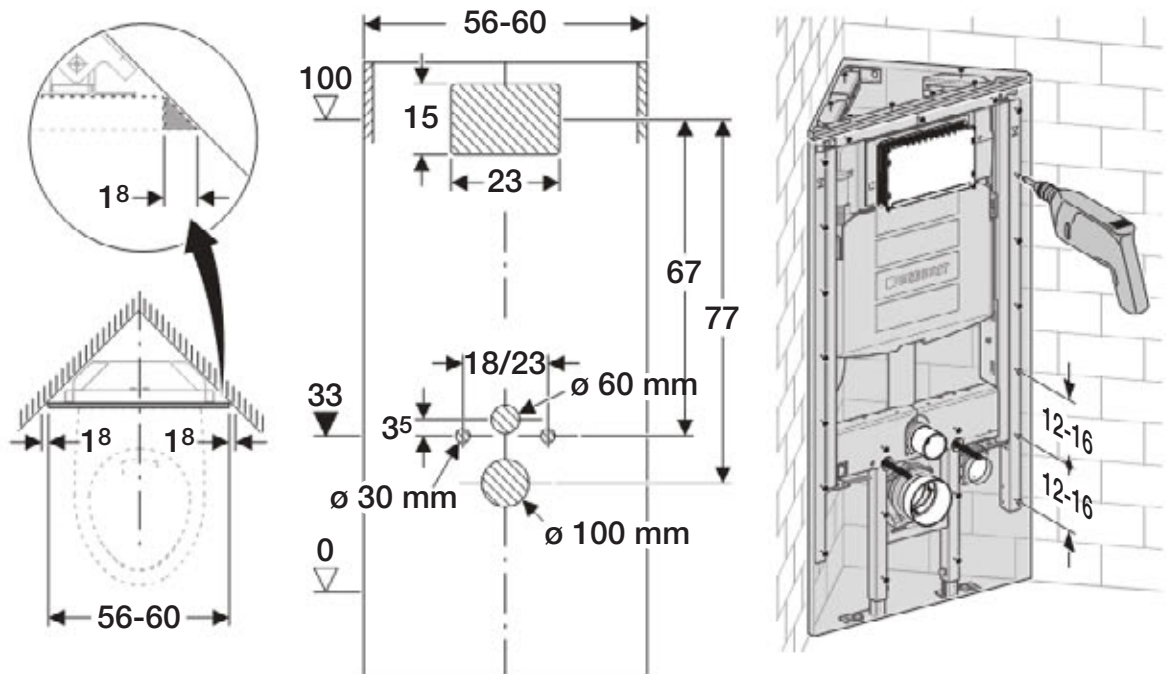
B



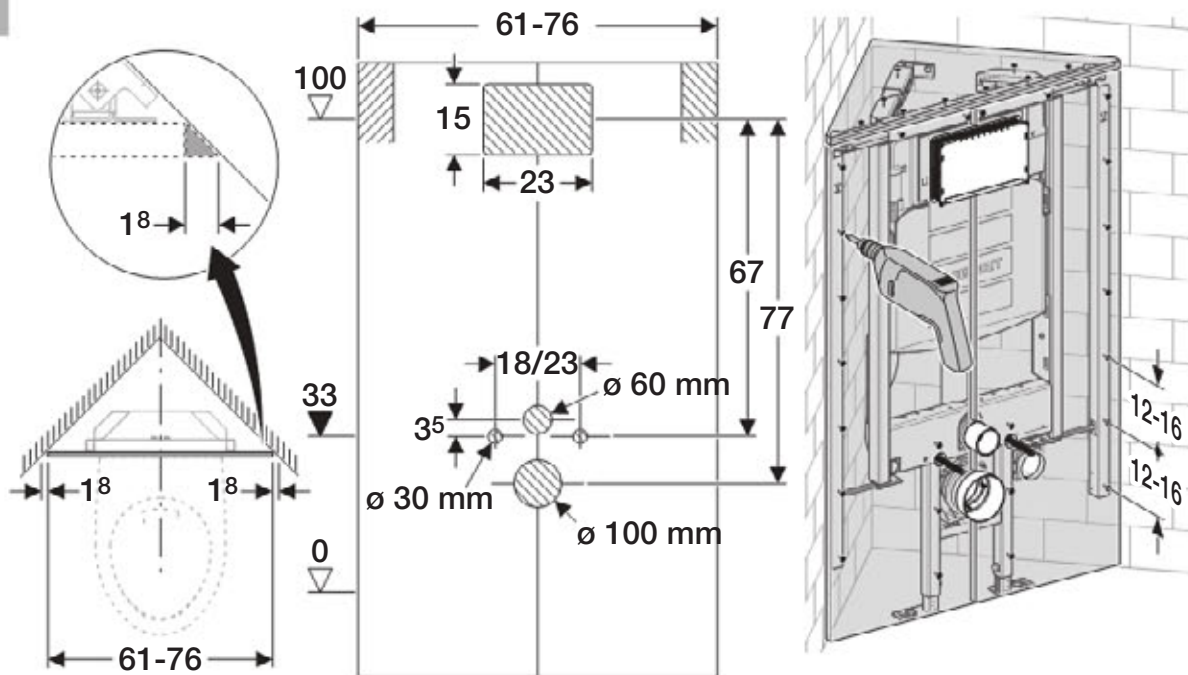
C

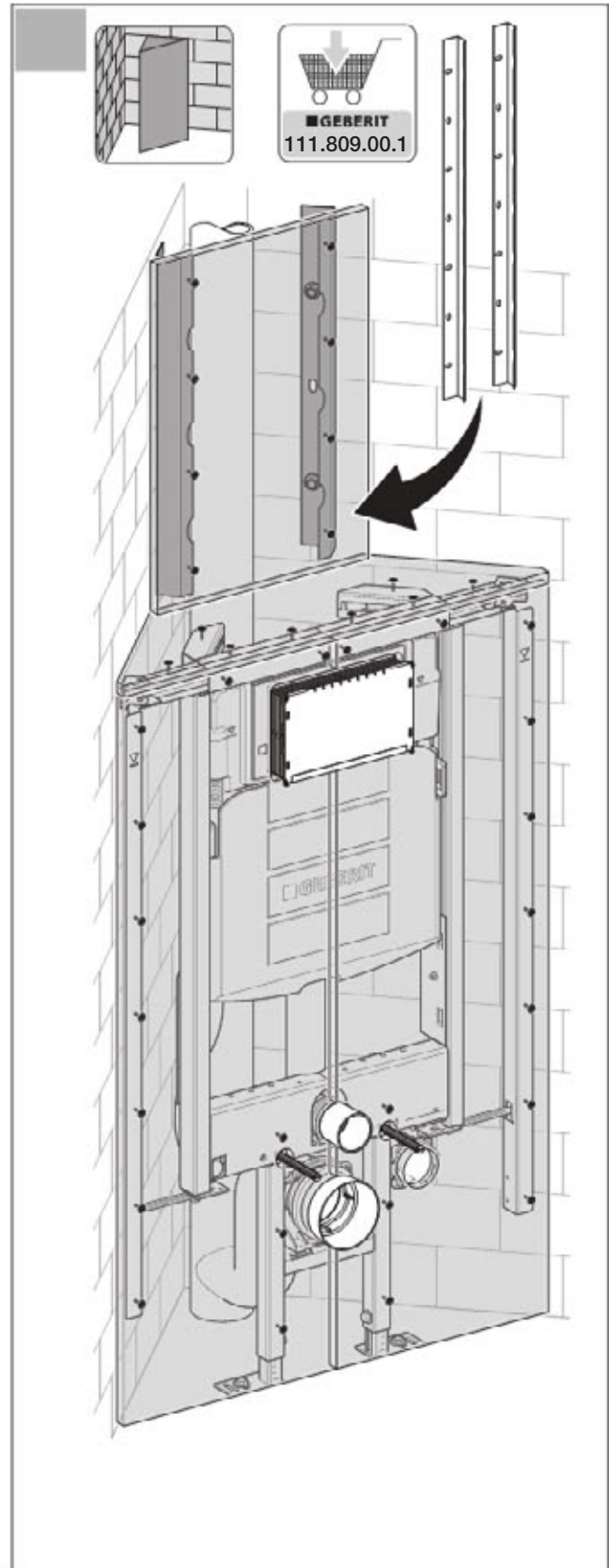
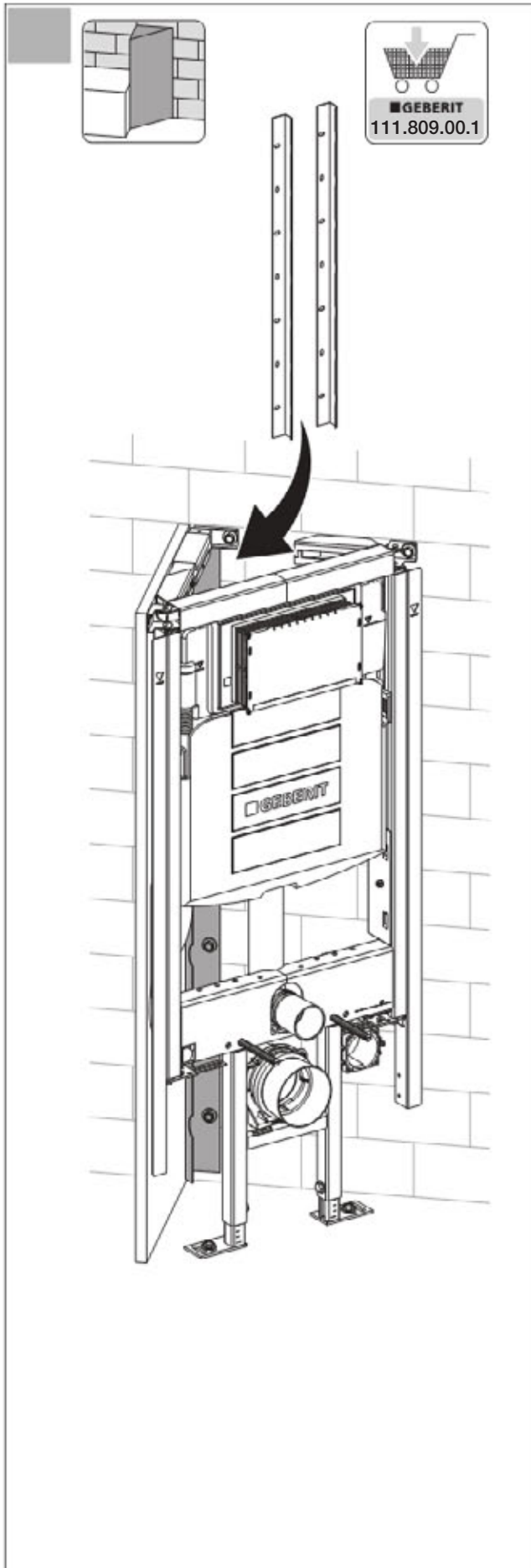


1



2





Geberit International AG
Schachenstrasse 77
CH-8645 Jona
www.geberit.com
dokumentation@geberit.com