

SensoWash Starck

Pre-installation Data Sheet

Index

Index	2
Note	2
Technical drawing	3
Pre-Installation	4
Pre-installation Checklist	5

Note

PLANNING

Before starting the installation, plan the layout in detail, taking the site conditions into consideration.


TARGET AUDIENCE AND QUALIFICATIONS

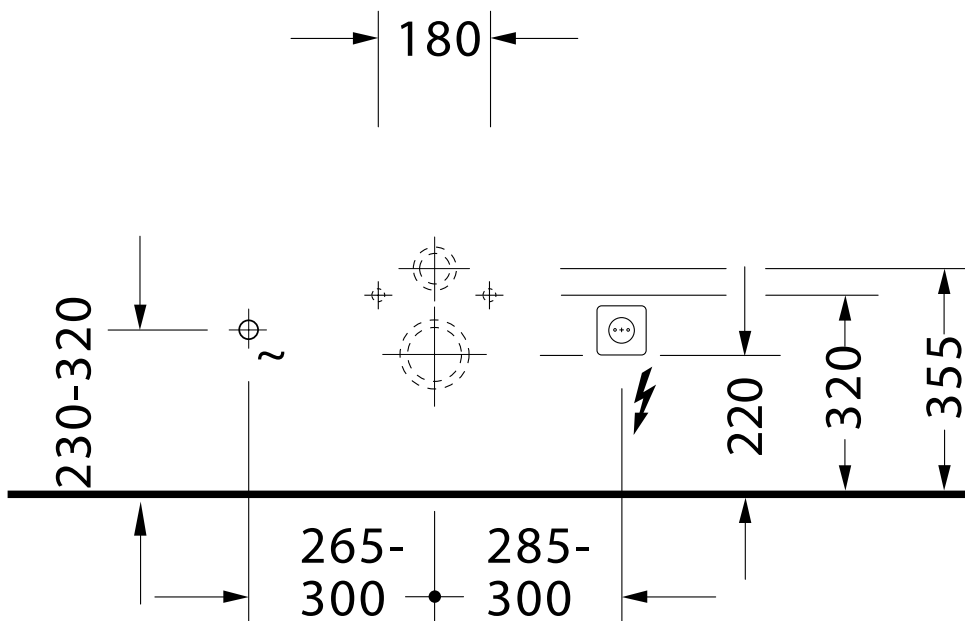
All work associated with the water connection may only be undertaken by a franchised plumbing company.
The installation must be in accordance with local water supply regulations and bylaws and country specific standards.

Connection of electrical equipment to the mains may only be carried out by a qualified electrician.

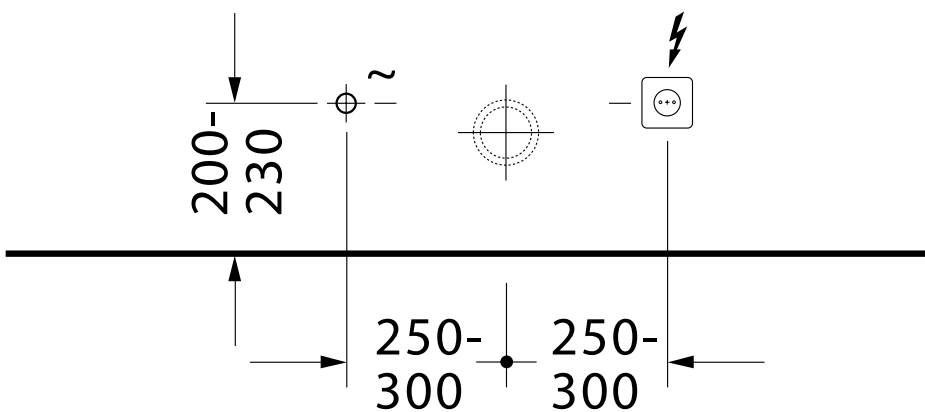
The installation must be in accordance with country specific standards, local regulations and Low Voltage guidelines.

Technical drawing

-  = area for electrical connection
- = area for water connection



2544090000
 # 2533090000
 # 2226090000



2129090000
 # 2141090000

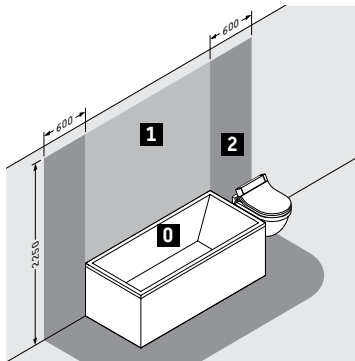
Pre-Installation

INSTALLATION LOCATION / INSTALLATION ROOM

> Ensure installation position fulfils following criteria

Temperature range 4 °C

Required area see technical drawing



WATER INSTALLATION

Water connection

Cold water DN 15 (1/2")

Water pressure 0,07 - 0,75 MPa (0,7 - 7,5 bar)

Water hardness max. 2.4 mmol/l

- > Install water connection in designated area.
- > Install water softening system when
 - Water hardness ≥ 2.4 mmol/l ($\geq 14^{\circ}\text{dH}$ or $\geq 24^{\circ}\text{f}$)

Water drain

- > Set water drain DN100, see drawing for area.

ELECTRICAL INSTALLATION

Electricity supply 220-240V ~ 50/60Hz

Max. rated power 1,65 KW

Protection type IP X4

Protection class I

- > Install permanent power supply line:
 - L, N, PE
 - See technical drawing for area.
- > Install circuit breaker:
 - Separate Circuit breaker $I_N = 16$ A
 - Separate Residual Current Circuit Breaker (RCCB) ($I_N = 30$ mA) that disconnects all phases from mains.

Pre-installation Checklist

REQUIREMENTS	√	REMEDY	√
I. INSTALLATION ROOM / ROOM CONDITIONS			
Temperature range checked			
Required area checked			
ELECTRICITY SUPPLY			
Test electrical connecting dimensions (planned, according to electrician)		Lay Electrical Connection	
Circuit breaker Installed (planned, according to electrician)		Install circuit breaker	
WATER CONNECTION			
Water connection available in designated zone		Install water feed	
Water drain available in designated zone		Install water drain	

Duravit AG
Werderstr. 36
78132 Hornberg
Germany
Phone +49 78 33 70 0
Fax +49 78 33 70 289
info@duravit.de
www.duravit.de

