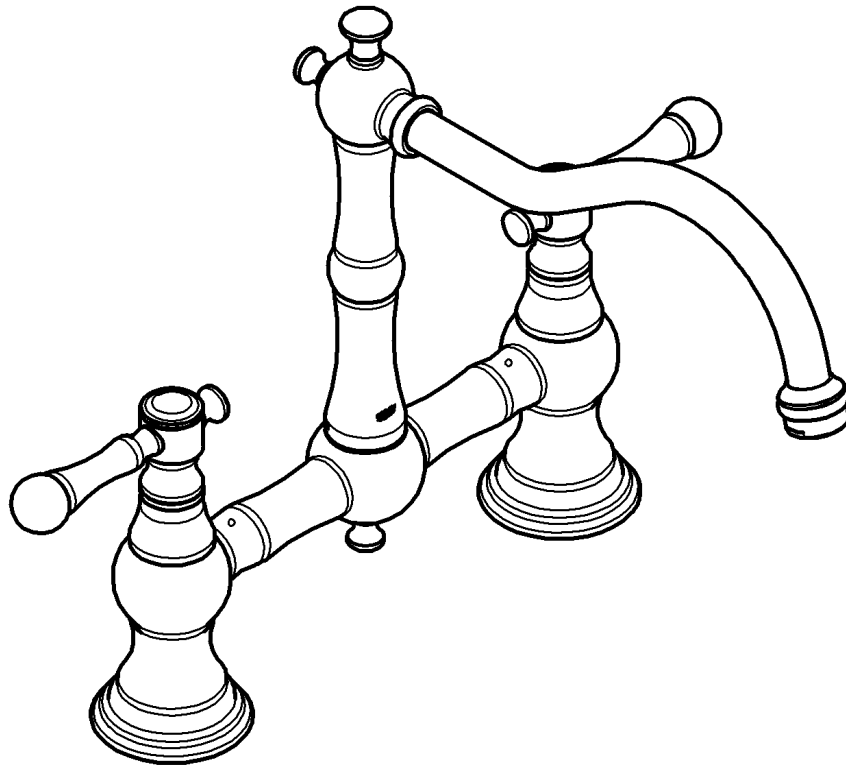


30 187

Bridgeford



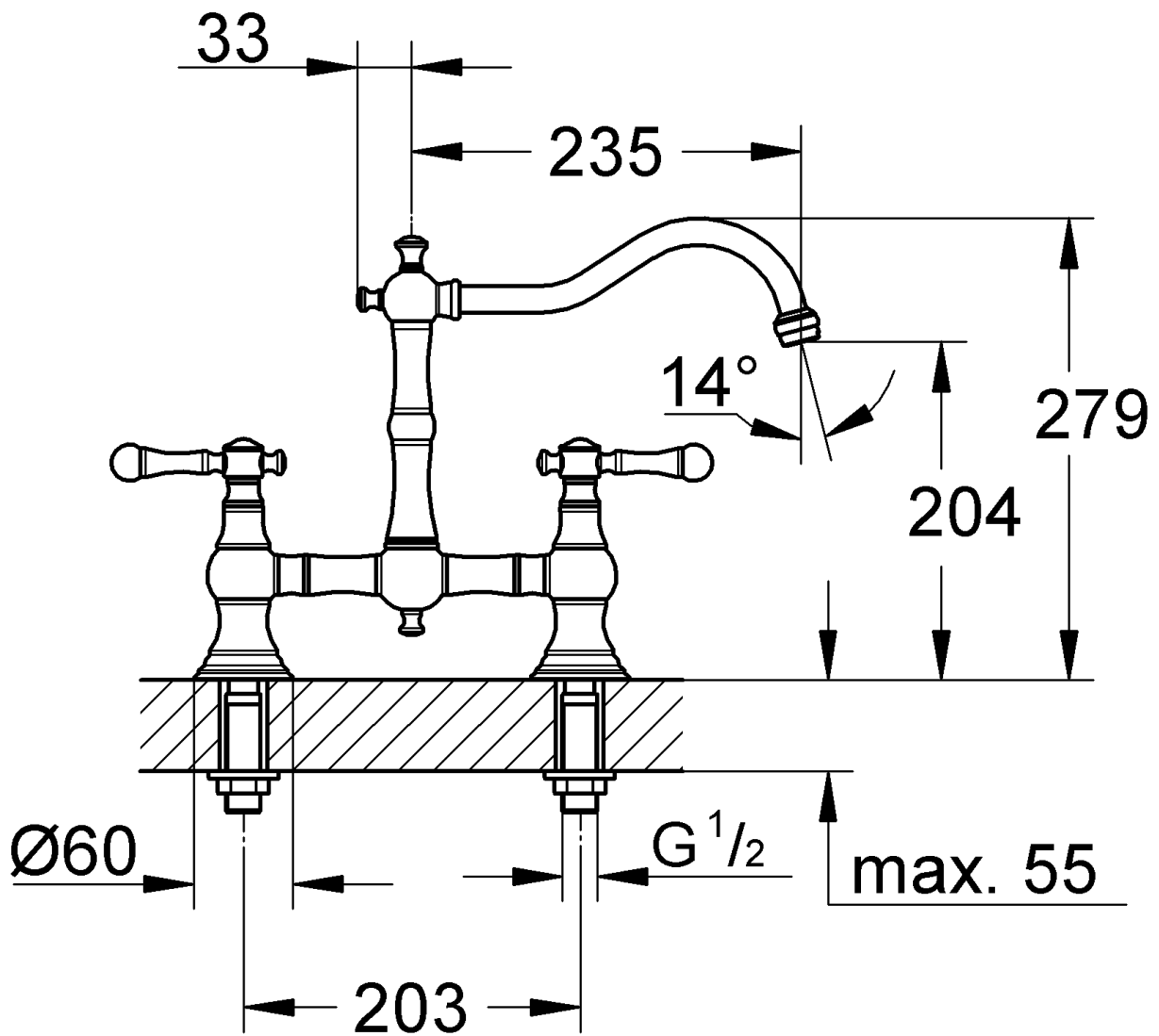
Bridgeford

Design & Quality Engineering GROHE Germany

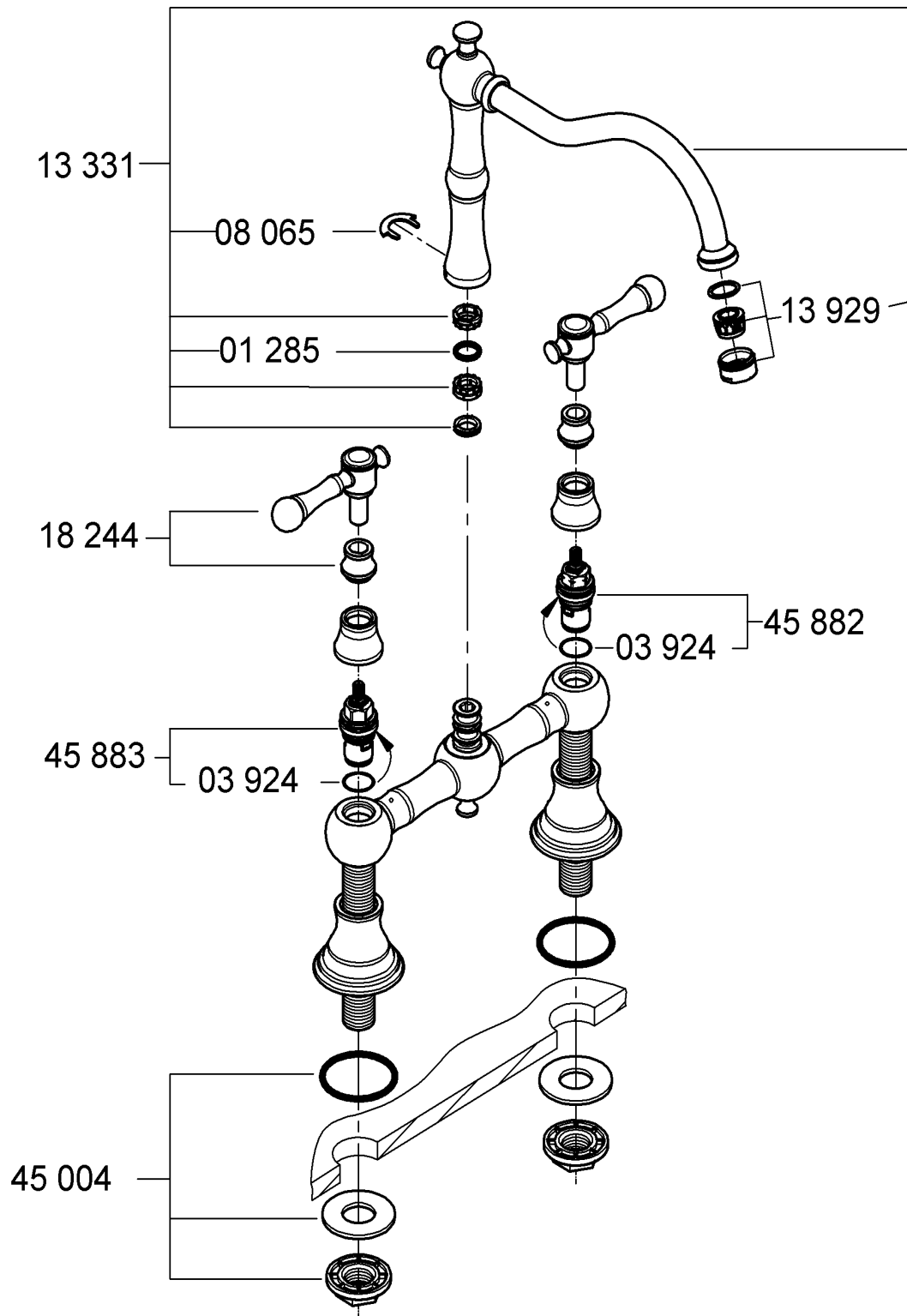
99.801.031/ÄM 222115/09.11

GROHE

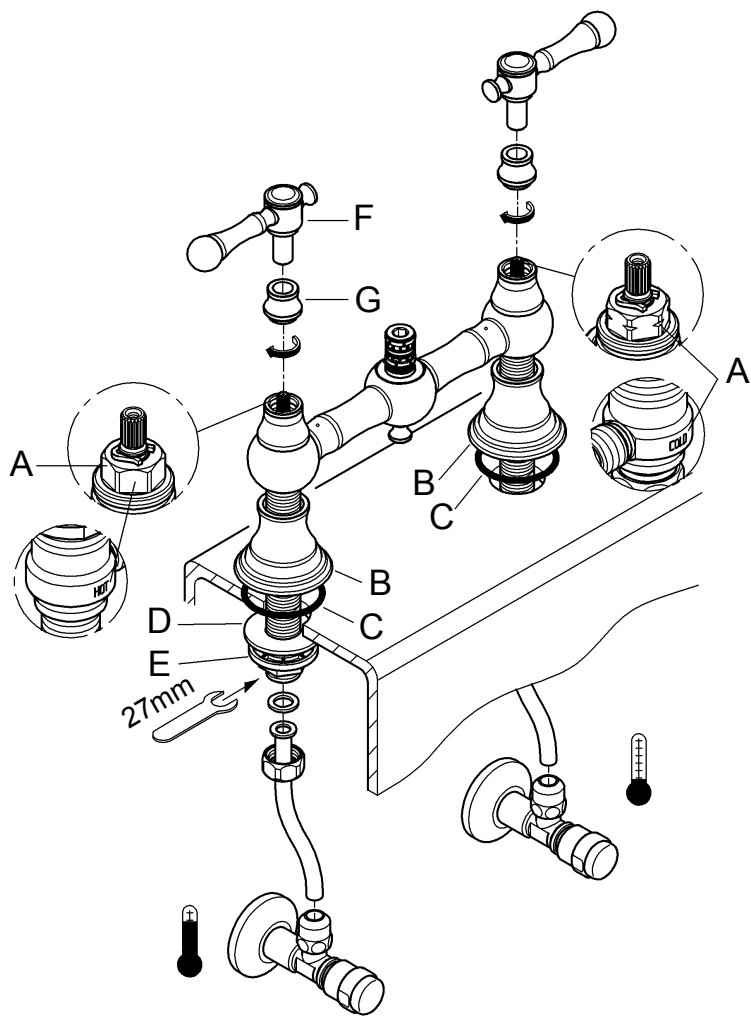
ENJOY WATER®



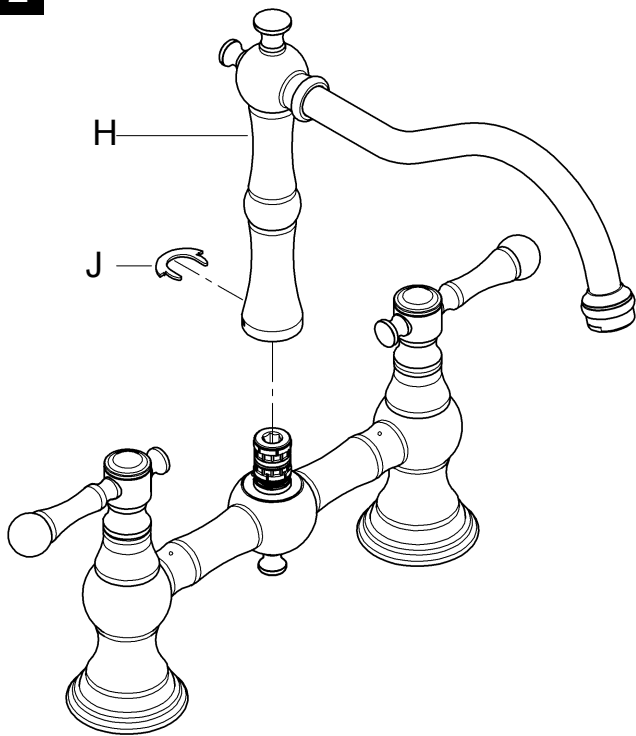
Please pass these instructions on to the end user of the fitting!



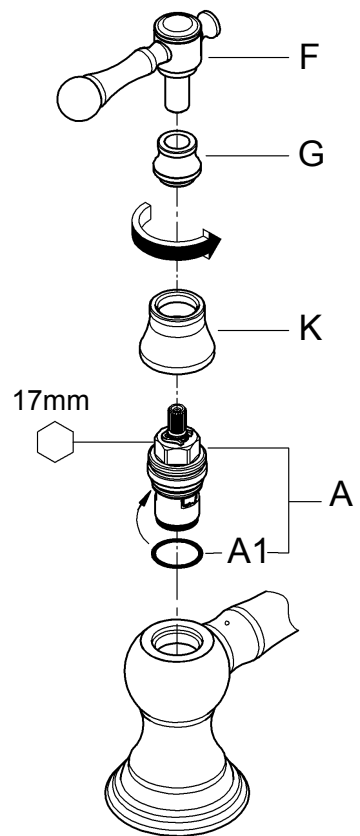
1



2



3



3

English

Application

Operation is possible in conjunction with:

- Pressurized storage heaters
- Thermally controlled instantaneous heaters
- Hydraulically controlled instantaneous heaters

Operation with low-pressure storage heaters (displacement water heaters) is **not** possible.

Specifications

- Minimum flow pressure 0.4 bar
- Maximum operating pressure 10 bar
- Test pressure 16 bar

If static pressure is greater than 5 bar, fit pressure reducer.

Avoid major pressure differences between cold and hot water supply.

- Flow rate at 0.4 bar flow pressure with flow straightener:
approx. 9 l/min
- Temperature
 - Hot water inlet (maximum): 80 °C
 - Recommended (energy saving): 60 °C
- Water connection cold - right
hot - left

Notes:

- Please follow all applicable local codes when setting the temperature on the hot water heater, as local municipalities may have codes limiting the maximum hot water heater setting to 50 °C.
- Major pressure differences between cold and hot water supply should be avoided.
- To be installed according to local codes and regulations.
- This faucet is not intended for the use with portable appliances.

Installation

Refer to the dimensional drawings on page 1.

Flush piping system prior and after installation of fitting thoroughly (Consider EN 806)!

Mount faucet on basin, see figs. [1] and [2].

- Valve with a groove on the top edge of the cartridge (A) and in addition marked with COLD should be mounted on the right (cold water) side, see fig. [1].
 - Valve without a groove on the top edge of the cartridge (A) and in addition marked with HOT should be mounted on the left (hot water) side.
1. Push on escutcheon (B), see fig. [1].
 2. Place seal (C) on basin and insert faucet through the holes of the basin.
 3. Push on washer (D) from below.
 4. Screw on counter nut (E) and tighten with an 27mm open-ended wrench.
 5. Close the cartridges (clockwise for the hot side and counter-clockwise for the cold side).
 6. Push on lever (F).
 7. Screw the brass nut (G) into the cap until tight.

Hand tighten only!

It is recommended that the lever (N) be installed so they point away from the spout when in the off position.

8. Insert swivel spout (H) and secure with clip (J), see fig. [2].

Connect faucet, see fig. [1].

For this purpose the supply must be connected to the angle stops (or other supply points).

The cold water supply should be connected on the right, the hot water supply on the left side.

Open cold and hot water supply and check connections for leakage!

Maintenance

Inspect and clean all parts, replace as necessary and grease with special grease.

Shut off cold and hot water supply!

I. Ceramic cartridge, see fig. [3].

1. Unscrew brass nut (G) and pull off lever (F).
2. Unscrew cap (K).
3. Unscrew ceramic cartridge (A) using a 17mm wrench.
4. Change complete ceramic cartridge (A) or O-ring (A1).

Observe the different replacement part numbers of the cartridges, see page 2.

II. Flow straightener, see page 2.

Unscrew and clean flow straightener (13 929).

Replacement parts, see page 2 (* = special accessories).

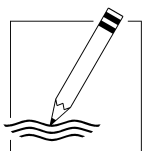
Care

Dear Customer,

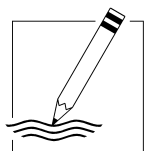
We want to ensure that you get long-lasting satisfaction and pleasure from your GROHE fitting. Therefore, please read the following care instructions because damage to the surface and underlying material resulting from improper treatment is not covered by warranty.

Do not use any abrasive sponges or scouring agents for cleaning. We also advise you not to use cleaning agents containing solvent or acid, limescale removers, household vinegar and cleaning agents with acetic acid in them. They are aggressive to the surface - and will leave your fitting dull and scratched. As the formulations of commercially available cleaning agents frequently change, we cannot guarantee they will provide the gentle care our fitting deserves.

Clean the fitting with a little soap and a moist cloth only, then simply rinse off and wipe dry. You can avoid lime spots by drying the fitting each time it is used. If lime deposits do occur, remove them with **GrohClean**, our environment-friendly cleaning liquid. **GrohClean** is specially formulated to clean the surface of our fittings gently. **GrohClean** is available from your supplier.



A series of 20 horizontal lines spaced evenly down the page, providing a template for handwriting practice.



A series of 25 horizontal lines spanning the width of the page, providing space for handwriting practice.

D

Grohe Deutschland
Vertriebs GmbH
Zur Porta 9
32457 Porta Westfalica
Tel.: +49 571 3989-333
Fax: +49 571 3989-999

A

GROHE Ges.m.b.H.
Wienerbergstraße 11/A7
1100 Wien
Tel.: +43 1 68060
Fax: +43 1 6884535

B

GROHE nv - sa
Diependaalweg 4a
3020 Winksele
Tel.: +32 16 230660
Fax: +32 16 239070

BG

Търговско представителство
Grohe AG България
Бизнес център Слатина
Ул. Слатинска 1
1574 София
Тел. : +359 2 9719959
+359 2 9712535
Факс.: +359 2 9712422

CDN

GROHE Canada Inc.
1230 Lakeshore Road East
Mississauga, Ontario
Canada, L5E 1E9
Tel.: +1 905 2712929
Fax: +1 905 2719494

CH

Grohe Switzerland SA
Bauarena Volketswil
Industriestrasse 18
8604 Volketswil
Tel.: +41 44 8777300
Fax: +41 44 8777320

CN

高仪 (上海)
卫生洁具有限公司
上海市黄陂北路227号
中区广场607-610室
电话: +86 21 63758878
传真: +86 21 63758665

CY

GROME Marketing (Cyprus) Ltd.
195B, Old Nicosia-Limassol Road
Dhali Industrial Zone
P.O. Box 27048
1641 Nicosia
Tel.: +357 22 465200
Fax: +357 22 379188

CZ SK

Grohe ČR s.r.o.
Zastoupení pro ČR a SR
V Oblouku 104, Čestlice
252 43 Průhonice
Tel.: +420 22509 1082
Fax: +420 22509 1085

DK

GROHE A/S
Walgerholm 11
3500 Vaerløse
Tel.: +45 44 656800
Fax: +45 44 650252

E

GROHE España S.A.
C/ Botanica, 78 - 88
Gran Via L'H - Distr. Econòmic
08908 L'Hospitalet de Llobregat
(Barcelona)
Tel.: +34 93 3368850
Fax: +34 93 3368851

EST LT LV

GROHE AG Eesti filiaal
Tartu mnt 16
10117 Tallinn
Tel.: +372 6616354
Fax: +372 6616364

F

GROHE s.à.r.l.
60, Boulevard de la Mission
Marchand
92400 Courbevoie - La Défense
Tel.: +33 1 49972900
Fax: +33 1 55702038

FIN

Oy Teknocalor Ab
Sinikellonkuja 4
01300 Vantaa
Tel.: +358 9 8254600
Fax: +358 9 826151

GB

GROHE Limited
Blays House, Wick Road
Englefield Green
Egham, Surrey, TW20 0HJ
Tel.: +44 871 200 3414
Fax: +44 871 200 3415

GR

N. Sapountzis S.A.
86, Kapodistriou & Roumelis Str.
142 35 N. Ionia - Athens
Tel.: +30 210 2712908
Fax: +30 210 2715608

H

GROHE Hungary Kft.
Röppentyü u. 53.
1139 Budapest
Tel.: +36 1 238 80 45
Fax: +36 1 238 07 13

HR

GROHE AG - Predstavništvo
Štefanovečka 10
10000 Zagreb
Tel.: +385 1 2989025
Fax: +385 1 2910962

I

GROHE S.p.A.
Via Castellazzo Nr. 9/B
20040 Cambiago (Milano)
Tel.: +39 2 959401
Fax: +39 2 95940263

IND

Grohe India Private Limited
The Great Eastern Centre
Gesco Corporate Centre
70 Nehru Place
New Dehli 110019
Tel.: +91 11 5561 9423 / 9513
Fax: +91 11 5561 9451

IS

BYKO hf.
Skemmuvegi 2
200 Kópavogur
Tel.: +354 515 4000
Fax: +354 515 4099

J

Grohe Japan Ltd.
TRC Building, 3F
1-1 Heiwajima 6-chome, Ota-ku
Tokyo 143-0006
Tel.: +81 3 32989730
Fax: +81 3 37673811

N

GROHE A/S
Nils Hansens vei 20
0667 Oslo
Tel.: +47 22 072070
Fax: +47 22 072071

NL

GROHE Nederland BV
Metaalstraat 2
2718 SW Zoetermeer
Tel.: +31 79 3680133
Fax: +31 79 3615129

P

GROHE Portugal
Componentes Sanitários, LDA
Zona Industrial de Areeiros,
Apt. 167
3850-200 Albergaria-a-Velha
Tel.: +351 234 529 900
Fax: +351 234 529 901

PL

GROHE Polska Sp. z o.o.
Pulawska 182 Street
02-670 Warszawa
Tel.: +48 22 5432 640
Fax: +48 22 5432 650

RUS

Представительство
Grohe AG
Москва, ул. Пусаковская 13, стр. 1
107140
тел.: +7 495 9819510
факс: +7 495 9819511

RO

Grohe AG Reprezentanta
Strada Nicolae Iorga 13,
Corp B
010432 Bucuresti (Sector 1)
Tel.: +40 21 2125050
Fax: +40 21 2125048

S

GROHE A/S
Kungsängsvägen 25
753 23 Uppsala
Tel.: +46 771 141314
Fax: +46 771 141315

SLO

GROSAN inženiring d.o.o.
Slandrova 4
1000 Ljubljana
Tel.: +386 1 5633060
Fax: +386 1 5633061

TR

GROME IC Ve Dis Ticaret
Limited Sirketi
Sun Plaza - Dereboyu Caddesi
Bilim Sokak. No: 5 Kat:10
34398 Maslak-Istanbul
Tel.: +90 212 3281344
Fax: +90 212 3281772

UA

Представництво
Grohe AG Україна
Вул. Івана Франка, 18-А
01030 Київ
тел. : +38 044 537 52 73
факс: +38 044 590 01 96

USA

GROHE America Inc.
241 Covington Drive
Bloomington
Illinois, 60108
Tel.: +1 630 5827711
Fax: +1 630 5827722

**Eastern Mediterranean
Middle East - Africa
Area Sales Office:**
GROME Marketing (Cyprus) Ltd.
195B, Old Nicosia-Limassol Road
Dhali Industrial Zone
P.O. Box 27048
1641 Nicosia
Tel.: +357 22 465200
Fax: +357 22 379188

Far East Area Sales Office:
GROHE Pacific Pte. Ltd.
438 Alexandra Road
06-01/04 Alexandra Point
Singapore 119958
Tel.: +65 6311 3600
Fax: +65 6378 0855

GROHE



ENJOY WATER®

www.grohe.com