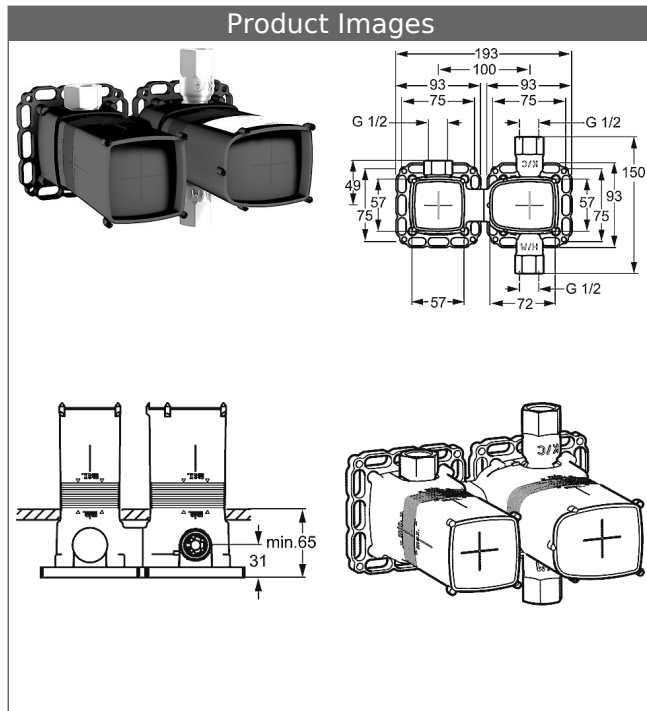


HANSAMATRIX
concealed installation unit, DN 15 (G 1/2)
thermostatic mixer
 with shut-off valve
 with protection against scalding



Description


HANSAMATRIX
 concealed installation unit, DN 15 (G 1/2)
 thermostatic mixer
 with shut-off valve
 with protection against scalding

PA-IX submitted
 flow rate: 25 l/min, at 3 bar hydraulic pressure without
 restrictors

**HANSATEMPRA thermostat cartridge without
 volume control**

Item No.: 59913311

Qty: 1

Model	Item No.
	44020000 

For the complete unit please order separately the
 concealed unit and the trim kit

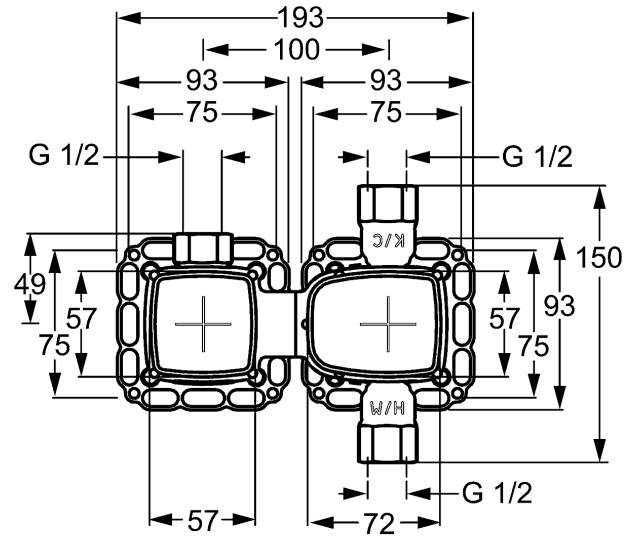
rinsing according to DIN 1988 with special plug no. 59
 913 589



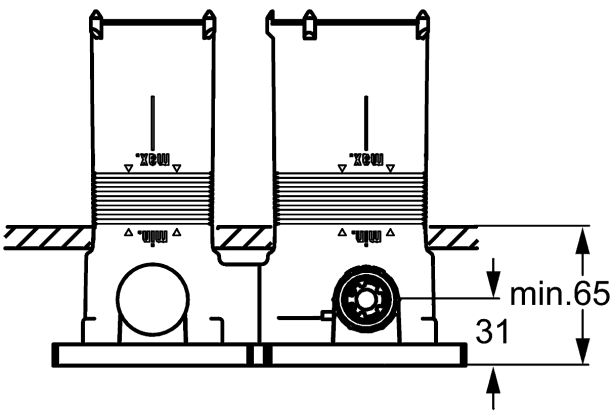
Product Image



Product Drawing



Product Drawing



Product Drawing

